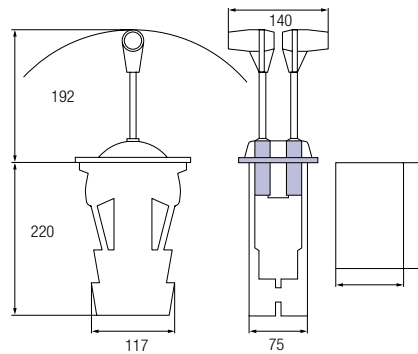


AT A GLANCE

FEATURES

- Stainless steel cover with polished stainless steel levers, straight or sport curved levers
- Adjustable throttle brake
- Optional neutral interlock provision helps to prevent accidental shifting. Can be used in dual station at main operating station
- Mechanical advantage - shift 3.42:1 - Throttle 3.42:1
- Standard control suits 33C type cables
- Neutral "warm up" button for throttle only operation



SG FLUSH MOUNT CONTROL

TECHNICAL DATA

Single function, twin lever sports style control. Suits 33C type control cables.

ORDER INFORMATION	PART NO.
SG straight levers	306215
SG curved levers	306216

ORDER INFORMATION	PART NO.
Dual station kit 33C, 33C supreme cables	306215
Mounting hardware kit (33C only)	306216
Grip kit (one red and one black)	305495
Detent kit	305496
Brake kit	305497
Terminal kit, for OS-KM type cables	305498
Neutral safety switch kit	305499
Cover kit, standard (black)	306217
Interlock kit	306093

