



## BATTERY MONITOR

### BAT-MON TOUCH-SCREEN 3.5"



## PRESENTATION

### 3 BATTERY BANKS OR DC SOURCES

Brand new CRISTEC's advanced battery monitor **BAT-MON** for most demanding users. For up to 3 battery banks or power generation (DC source) with 3 additional battery voltage readings<sup>(1)</sup>.

It operates at **12, 24, 36 and 48V** and is suitable for all types of batteries, including Lithium.

The battery monitor **BAT-MON** shows all relevant standard data such as voltage, current, remaining capacity and time of the service battery plus one additional voltage for starter or bow battery at the same time.

Moreover the battery monitor **BAT-MON** records history data of your battery such as average discharge depth, unavailable capacity and number of charge/discharge cycles.

An active high-precision **300A** shunt unit is provided as standard for battery control. Two extra ones can be used as option. For each used shunt an additional voltage measurement is also available (i.e. bow-thruster battery).

A CAN-BUS interface shunt is also available (Reference FLEXCAN).

### POTENTIAL FREE CONTACT

If one of the controlled batteries reaches the configured low capacity or voltage threshold, an acoustic alarm comes on and an appropriated symbol appears on the screen.

When there is an on-board generator battery monitor **BAT-MON** supervises the battery capacity and controls the generator through a potential free contact. The generator is switched ON according to the adjusted capacity threshold.

## TECHNICAL SPECIFICATIONS

- Very high accuracy (10mA) and large capacities (up to 2000Ah)
- Adjustable nominal battery voltage : 12V / 24V / 36V / 48V
- High resolution, energy-saving back light LCD display
  - \* Dimensions : L 105 x H 105 x D 40 mm
  - \* Cut-out : 88 x 88 mm
- 1 internal potential free contact : to activate a monostable or bistable relay
- 1 active shunt 300A as standard.
  - \* Dimensions : L 119 x H 44 x D 43 mm
  - \* Connection : M8 bolts
- Languages : French, English, German and Spanish.

<sup>(1)</sup> No additional battery voltage reading in 48V



# BATTERY MONITOR

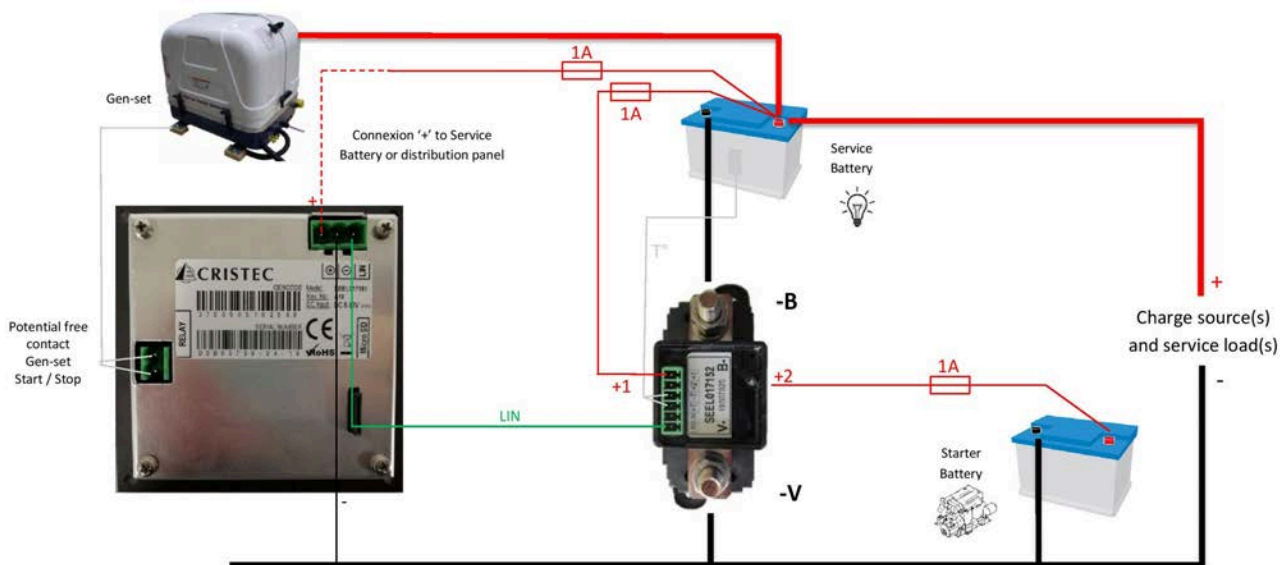
## BAT-MON TOUCH-SCREEN 3.5"



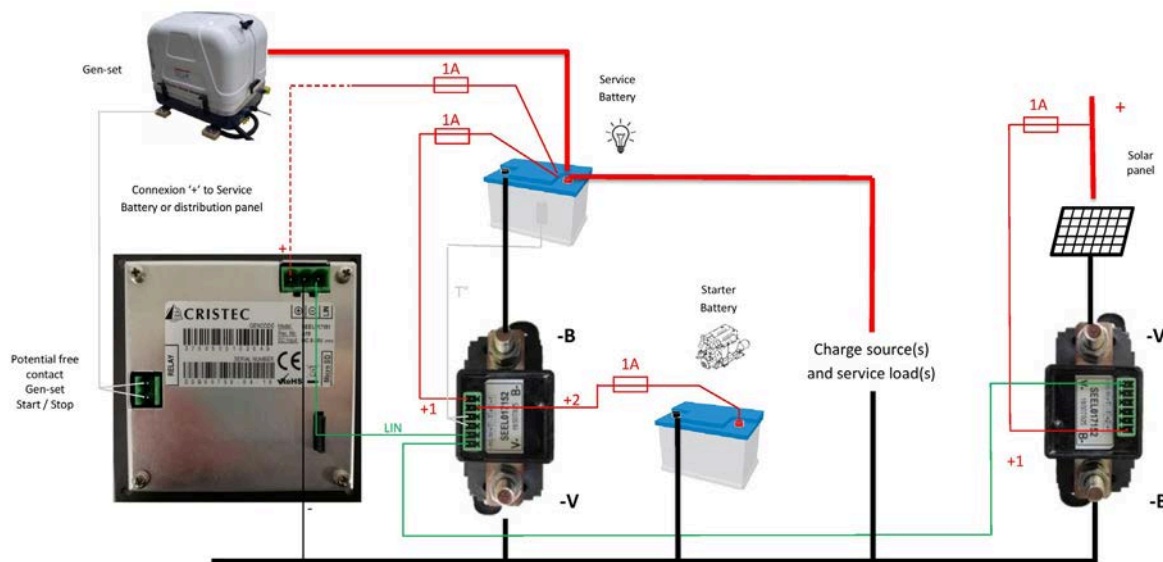
DESCRIPTION	REFERENCE
Battery monitor (screen + 1 shunt 300A)	BAT-MON-3.5-3
Additional shunt 300A (option)	SHUNT-300-3.5-3
Wiring kit (option)	SEEL017153
Temperature probe 2.8m (option)	STP-NEW-2.8
Temperature probe 5m (option)	STP-NEW-5.0

### 2 EXAMPLES OF INSTALLATION

- ◆ Monitoring of a service battery + voltage of the starter battery<sup>(\*)</sup>



- ◆ Monitoring of a service battery + voltage of the starter battery<sup>(\*)</sup> and control of the flow of a solar panel



<sup>(\*)</sup> No additional battery voltage reading in 48V