

AT A GLANCE

FEATURES

- Dual action (throttle and shift in one lever)
- Sturdy control provides one-handed positive engine control
- Start and warm-up are done by pulling out the hand levers in the neutral position
- Built in neutral safety switch to prevent starting in gear
- Built-in friction drag helps prevent slippage and throttle creep while underway
- *Single control accepts 43C type cable with optional connection kit standard control suits 33C type cables
- Neutral "warm up" button for throttle only operation



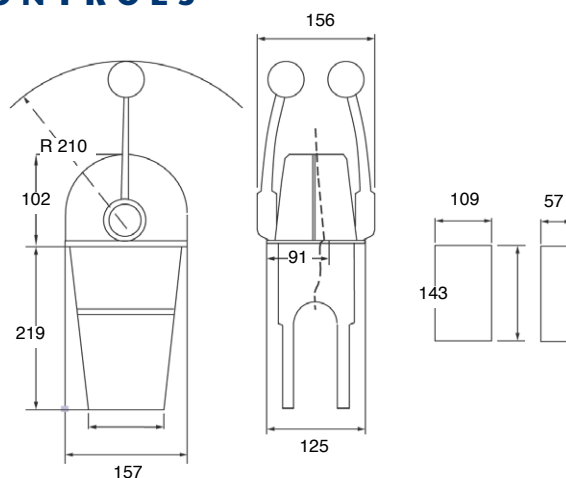
OPTIONS - CHROME KNOBS

MT3 TOP MOUNT CONTROLS

TECHNICAL DATA

World's most popular classic design, dual action, top mount controls. Chrome finish, available in single or twin engine versions. Suits 33C type control cables.*

* Single control accepts 43C type cable with optional connection kit. Standard control suits 33C type cables.



SPECIFICATIONS

| ORDER INFORMATION | PART NO. |
|---|-----------------------|
| MT3 Single | 308731 |
| MT3 Twin | 308732 |
| Heavy duty conversion kit | 309742 |
| MT3 Pro Single Version with Stainless Steel Knobs | MT3 Pro-Single |
| MT3 Pro Twin Version with Stainless Steel Knobs | MT3 Pro-Twin |

