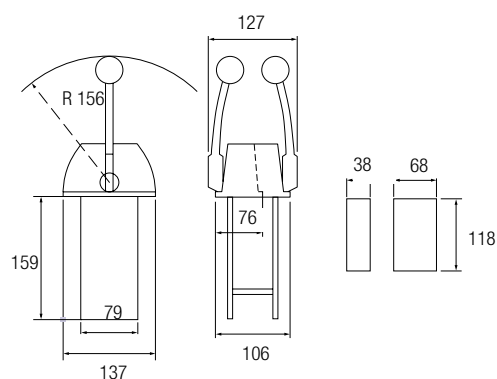


AT A GLANCE

FEATURES

- Optional neutral safety switch to prevent starting in gear
- Optional gear detent kit (if used in dual stations use on main operating station only)
- Standard control suits 33C type cables



TWIN S & SINGLE S TOP MOUNT CONTROLS

TECHNICAL DATA

Single function, one or two lever versions. Highly polished, chrome plated covers. Suits 33C type control cables.

ORDER INFORMATION	PART NO.
Twin S	031001-001
Single S	031002-001

ACCESSORIES & PARTS	PART NO.
Clutch detent kit	022328
In Series dual station kit - 30 series (2 required for twin)	039489-002
In Series dual station kit - 40 series (2 required for twin)	042152
Neutral safety kit	047307
Throttle hold kit (one per lever, prevent throttle creep)	306997

