

AT A GLANCE

FEATURES

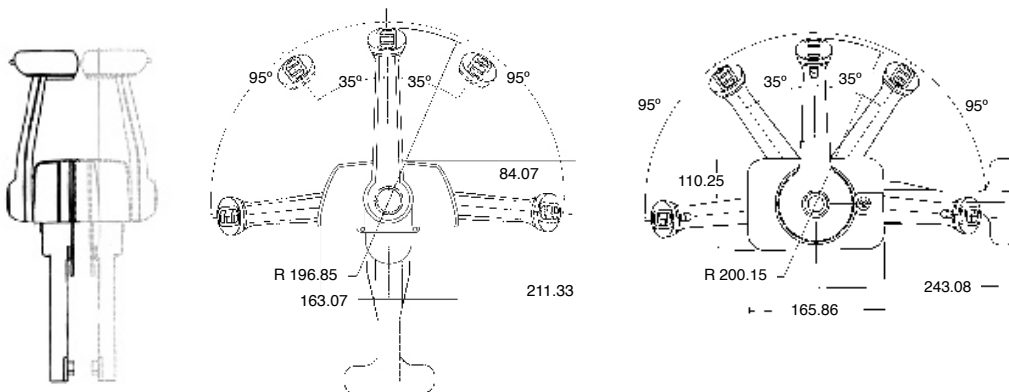
- Dual action (throttle and shift in one lever)
- Start in gear protection standard
- Neutral interlock prevents accidental engaging of gear (side mount only)
- Push button for neutral engine warm up
- Use 33C series type cables or OMC/Mercury OEM style cables
- Adjustable throttle damper
- Available with or without trim and/or tilt
- Neutral "warm up" button for throttle only operation



SL3 TOP AND SIDE MOUNT CONTROLS RANGE

TECHNICAL DATA

Modern styling, dual action, top and side mount controls. Black satin finish available in single or twin engine versions, with or without trim and/or tilt switches. Suits 33C, OMC and Merc cables.



ORDER INFORMATION	PART NO
SL3 Top mount twin	309479
SL3 Top mount twin with trim	309480
SL3 Top mount twin with trim and tilt	309481
SL3 Top mount single	309476
SL3 Top mount single with trim	309477
SL3 Top mount single with trim and tilt	309478-002
SL3 side mount	309473
SL3 side mount with trim	309474
SL3 side mount with trim and tilt	309475-002

